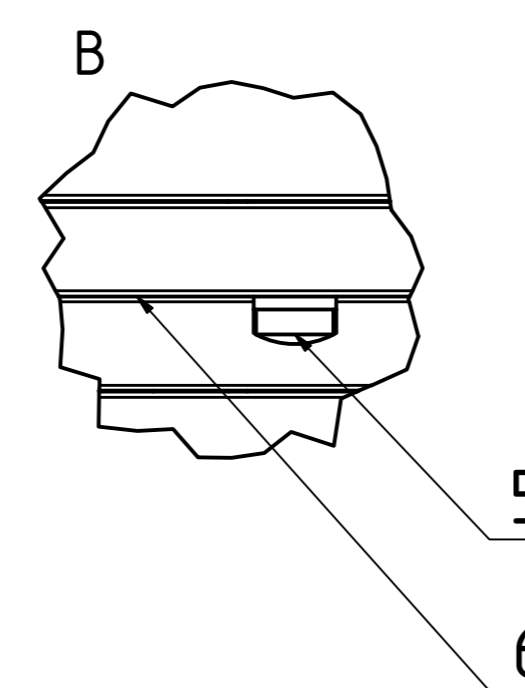
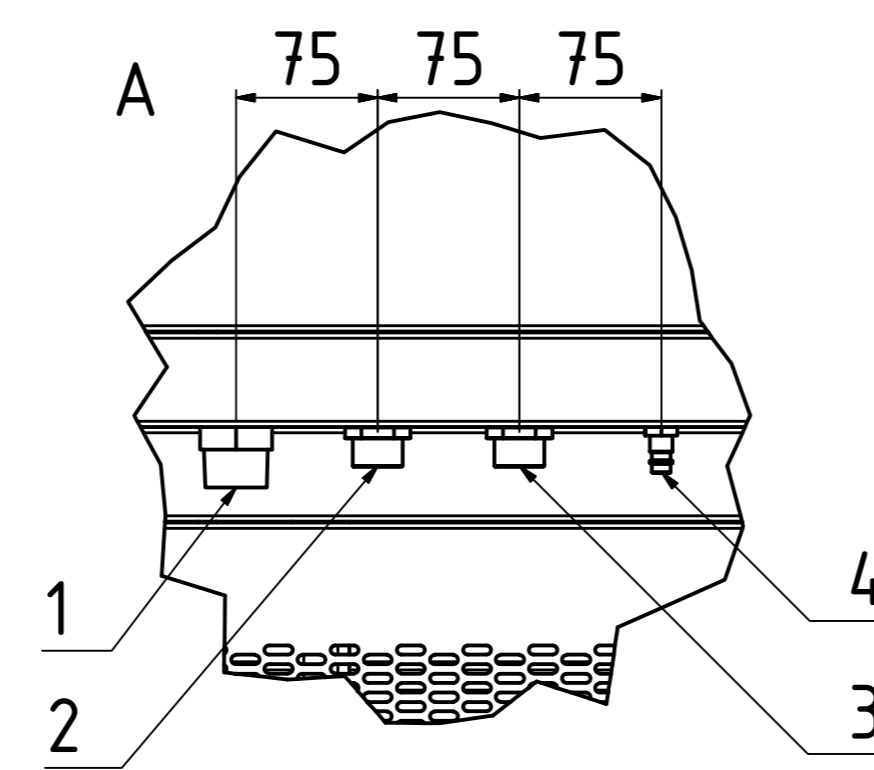
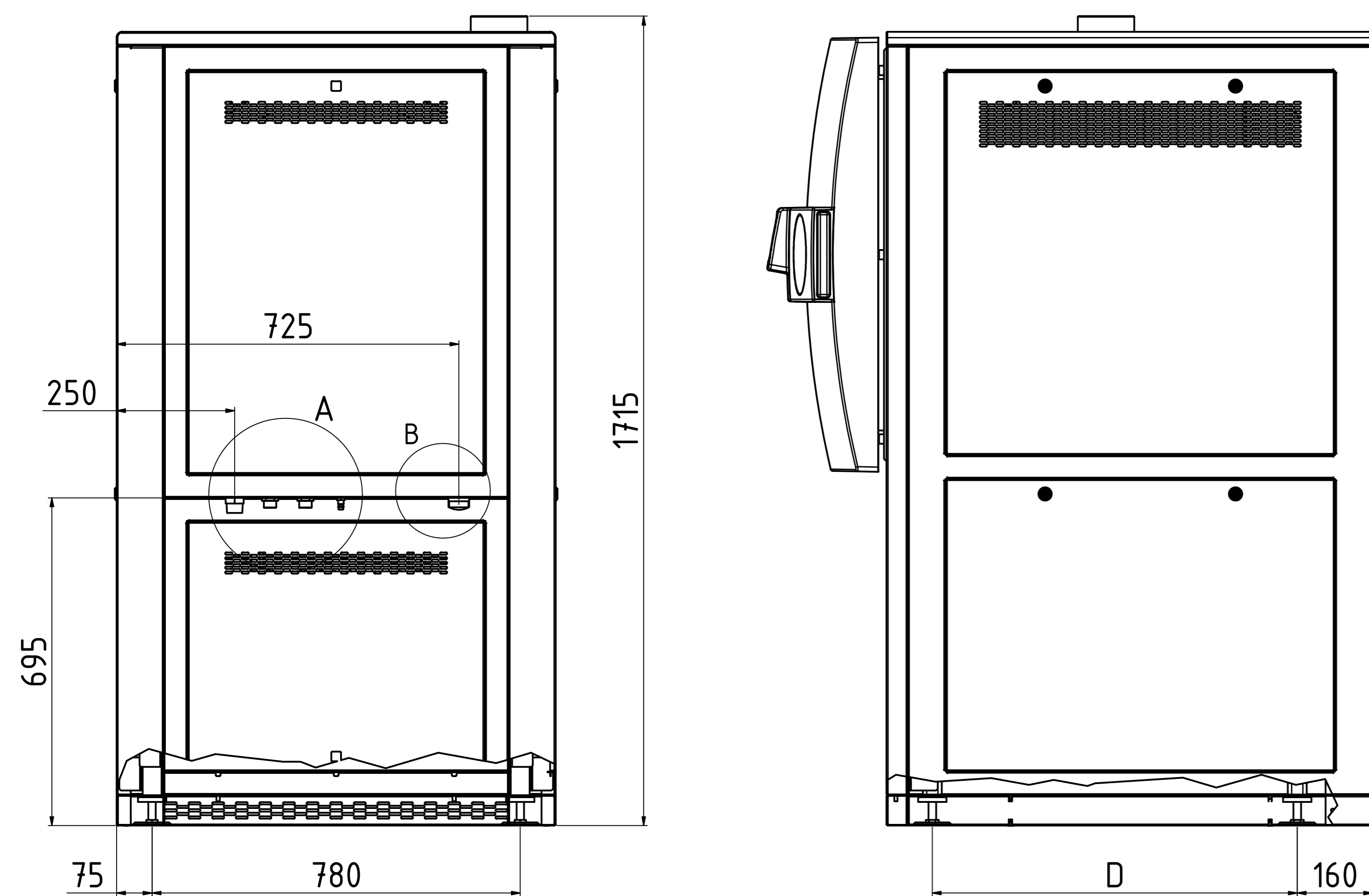
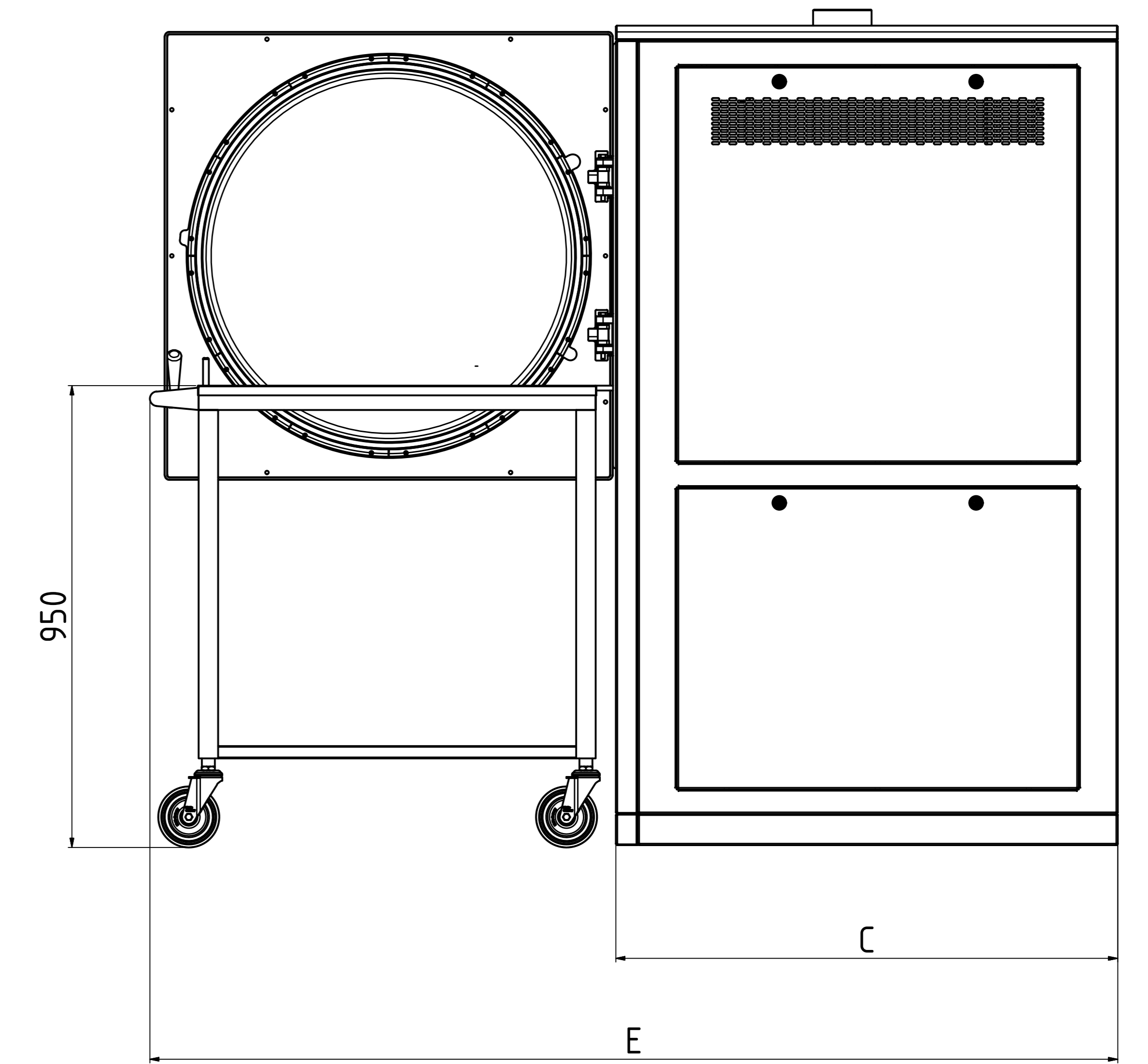
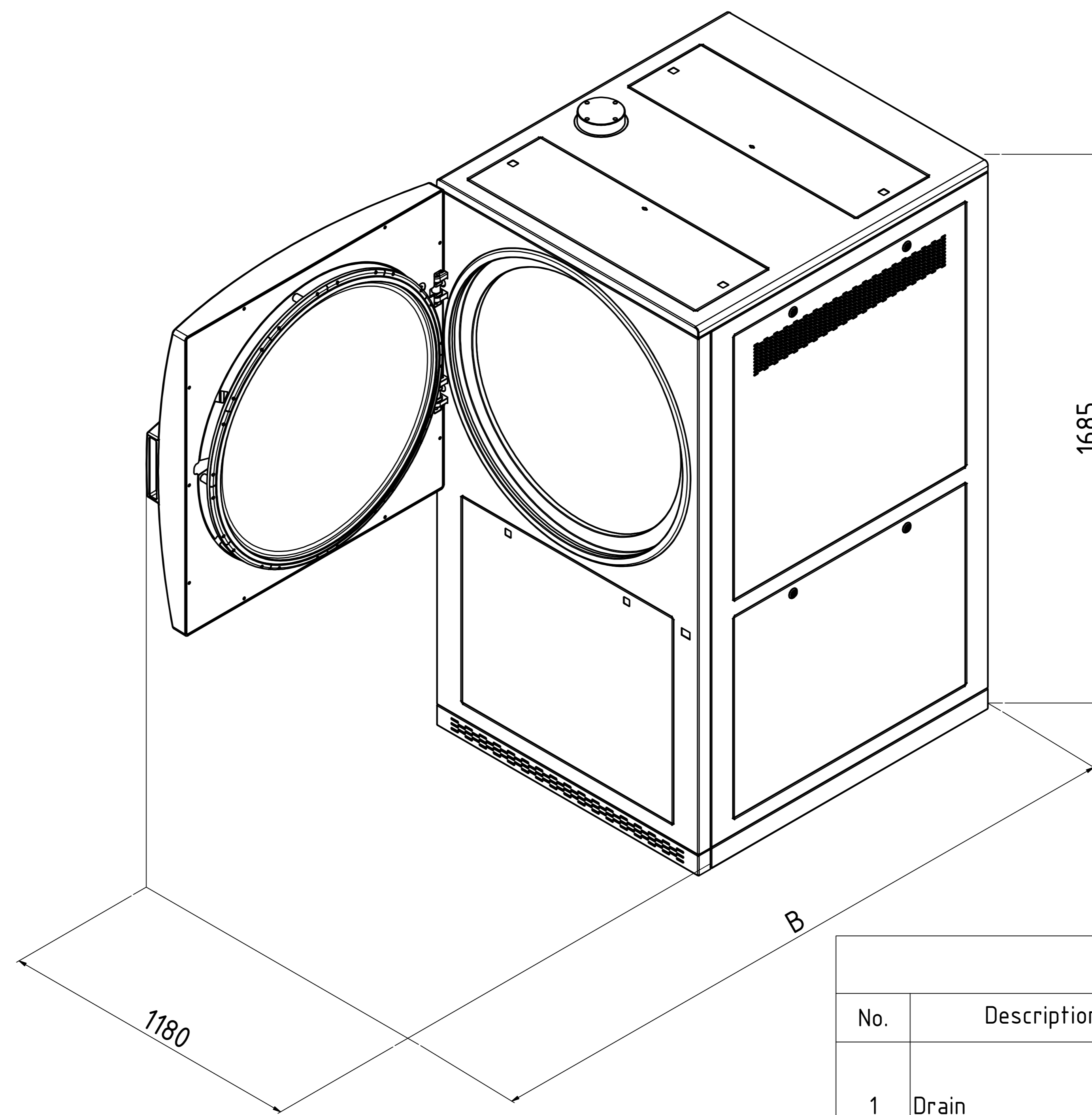
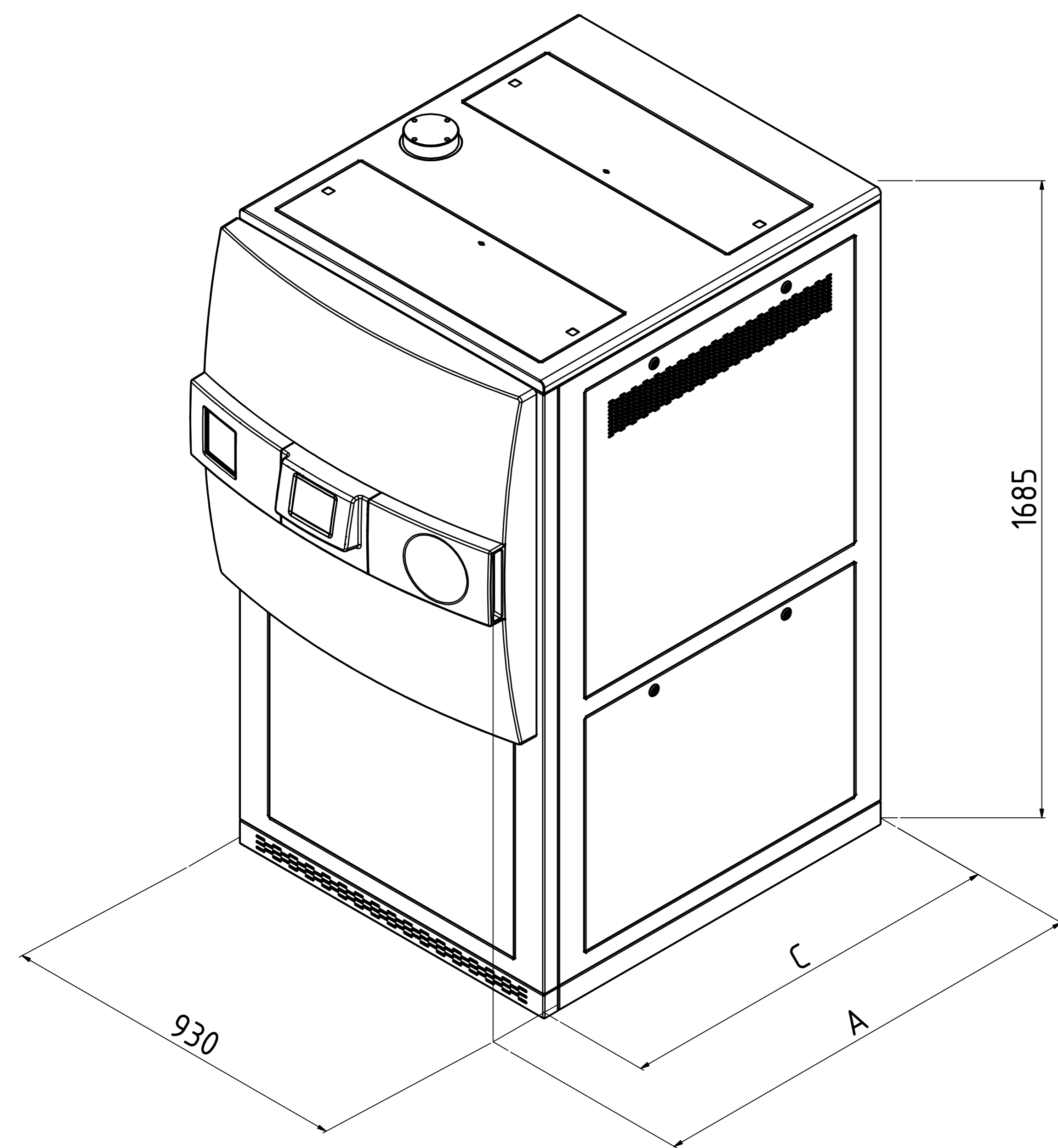


# System HX-210 / HX-320 / HX-430 HX-540 / HX-650



Technical data					
No.	Description	Size	HX	Comments	
1	Drain	1" ET	X	Temperature-resistant installation (103°C in case of failure) Temperature controlled at 70°C (settable) Drain height max. ≤ 40cm above the floor	
2	Tap water*	3/4" ET	X	≥ 1bar water pressure Σ alkaline earth ions ≤ 2,0 mmol/l, conductivity max. 300 µS/cm, 11°dH, 200mg/l CaCO3	
3	Demineralized water*	3/4" ET	X	≥ 1bar water pressure Σ alkaline earth ions < 0,02 mmol/l, conductivity: 0,1 - 15 µS/cm	
4	Compressed air	NW 7,2	X	min. 7-10bar / 200l/min., ≤ Class 4 according to DIN ISO 8573	
5	Power supply* <sup>2</sup>		X	3x400V+N+PE / 50/60Hz / 32 Ampere / CEE socket	
6	Interface		X	RS-232 / RS-485 (Ethernet network and USB compatible)	

	Art.-No.:	A	B	C	D	E	Heat emission	Net weight	Test weight* <sup>3</sup>
System HX-210	2220	1035	1710	780	523	1480	<1000 W/h	450 kg	730 kg
System HX-320	2230	1285	1960	1030	773	1985	<1200 W/h	480 kg	865 kg
System HX-430	2240	1535	2210	1280	1023	2485	<1400 W/h	530 kg	1025 kg
System HX-540	2250	1785	2460	1530	1273	2985	<1600 W/h	600 kg	1203 kg
System HX-650	2260	2035	2710	1780	1523	3490	<1800 W/h	660 kg	1370 kg

X = Standard    0 = Optional    -- = Not Available    Length dimensions in mm

\* Other power and media connections available on request

\*<sup>2</sup> Other voltages available on request

\*<sup>3</sup> Test weight: chamber completely filled with water for pressure test

Contact area of the feet: 5026,5mm<sup>2</sup> per foot - Total 20106mm<sup>2</sup> for 4 pieces (Ø80mm)

<table border="1"> <tr> <th colspan="2">Allgemein- toleranz ISO 2768 T1-m</th> <th colspan="2">Oberfläche</th> <th colspan="2">Maßstab</th> <th colspan="2">Gewicht</th> </tr> <tr> <td>Gezeichnet</td> <td>Datum</td> <td>Material</td> <td>Maßstab</td> <td>Werkstoff</td> <td>Maßstab</td> <td>Werkstoff</td> <td>Maßstab</td> </tr> <tr> <td>Gezeichnet</td> <td>16.05.2016</td> <td>Stahl</td> <td>1:1</td> <td>Stahl</td> <td>1:1</td> <td>Stahl</td> <td>1:1</td> </tr> <tr> <td colspan="4"></td> <td colspan="4">System HX-Ø750</td> </tr> </table>	Allgemein- toleranz ISO 2768 T1-m		Oberfläche		Maßstab		Gewicht		Gezeichnet	Datum	Material	Maßstab	Werkstoff	Maßstab	Werkstoff	Maßstab	Gezeichnet	16.05.2016	Stahl	1:1	Stahl	1:1	Stahl	1:1					System HX-Ø750				<table border="1"> <tr> <td>Zng.-Nr.:</td> <td>AZ 2220 EN</td> <td>Rev.:</td> <td>1</td> </tr> <tr> <td colspan="2">System HX-Ø750</td> <td colspan="2">A0</td> </tr> </table>	Zng.-Nr.:	AZ 2220 EN	Rev.:	1	System HX-Ø750		A0	
Allgemein- toleranz ISO 2768 T1-m		Oberfläche		Maßstab		Gewicht																																			
Gezeichnet	Datum	Material	Maßstab	Werkstoff	Maßstab	Werkstoff	Maßstab																																		
Gezeichnet	16.05.2016	Stahl	1:1	Stahl	1:1	Stahl	1:1																																		
				System HX-Ø750																																					
Zng.-Nr.:	AZ 2220 EN	Rev.:	1																																						
System HX-Ø750		A0																																							